

Reed-switch Interface for ABEL

Instead of using a photohead, a much simpler way of connecting a dumbbell to ABEL is to use a reed-switch.

All you need is a reed-switch and magnet, a resistor and serial-port socket.

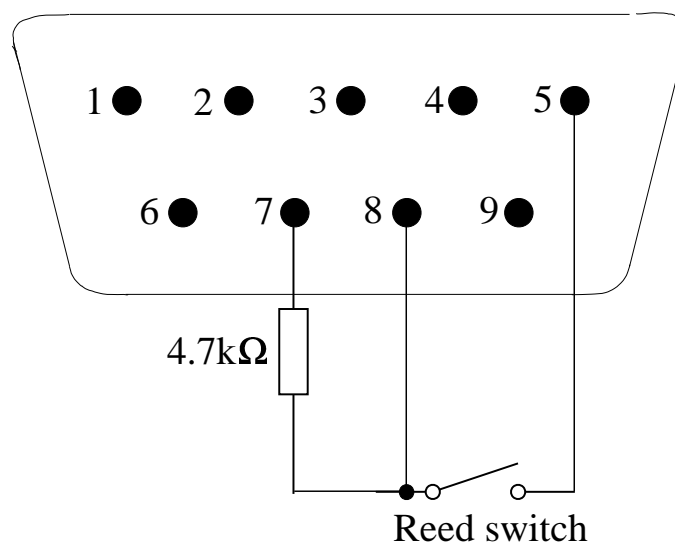
Here are the Maplin codes and prices:

Reed-switch and magnet	MM08	£2.29
Resistor 4.7k Ω	M4k7	0.13
9-pin socket	RK61	0.89
Cover for socket	FP27	1.09
TOTAL		£4.40

There is no circuit board required, as the resistor fits inside the socket-cover.



Serial Port



There are four wires coming from the reed switch.
Use the yellow and blue wires, and connect them (either way round) to pins 5 and 8.